

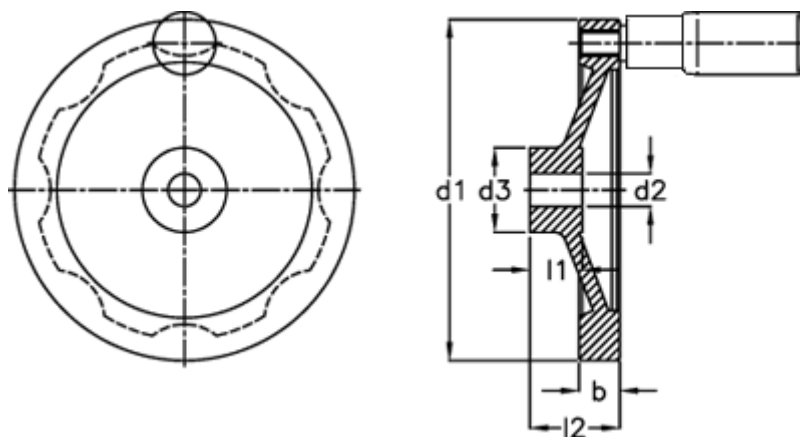
Data Sheet



Article number: 20379300

Description: E+G Handwheel
GN 323-125-K14-R

Measures



| | |
|--------|--------|
| b | = 15.0 |
| d1 | = 125 |
| d2 H7 | = 14 |
| d3 | = 31 |
| Handle | = 22 |
| l1 | = 18 |
| l2 | = 33 |